

3.5" Compact Floppy Disk Drive D358F3, D359F3, D353F3 1/2 Inch Height Type

OUTLINE

"F3 Series", model most suited to the notebook and lap-top size, compact personal computers and word processors.

Despite low profile, light-weighted body (thickness : 12.7mm, weight : 160g), but has sufficient shock resistance and high reliability.



FEATURES

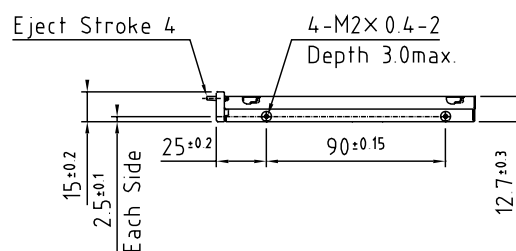
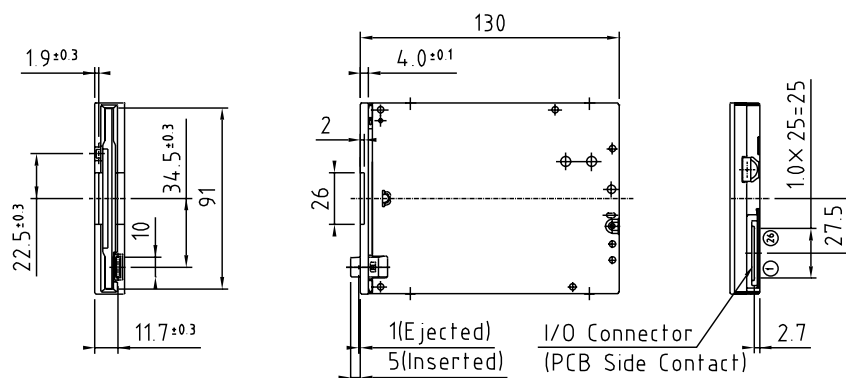
1. Low profile (12.7mm) and lightweight (160g).
2. Can be designed for 2 piece FDD (F3 Series model) in 1 inch height.
3. Shock resistant design includes high-strength Aluminum frame.
4. D353F3 model is 3 mode (2MB/1.6MB/1MB) capacity.

SPECIFICATIONS

Item		Unit	D358F3		D359F3		D353F3		
			1M Mode	1.6M Mode	1M Mode	2M Mode	1M Mode	1.6M Mode	2M Mode
Capacity	Unformatted	M bytes	1	1.6	1	2	1	1	2
	Formatted (Sector/Track)	K bytes	737.28 (9)	1,182.72 (15)	737.28 (9)	1,474.56 (18)	737.28 (9)	1,182.72 (15)	1,474.56 (18)
Data Transfer Rate		K bit/sec.	250	500	250	500	250	500	500
Innermost Recording Density (Side 1)		bpi	8,717	14,184	8,717	17,434	8,717	14,184	17,434
Number of Tracks		—	160	154	160	160	160	154	160
Track Density		tpi	135	135	135	135	135	135	135
Disk Rotational Speed		rpm	300	360	300	300	300	360	300
Track to Track Access Time		mS	3	3	3	3	3	3	3
Average Access Time		mS	94	91	94	94	94	91	94
Settling Time (max.)		mS	15						
DC Power Supply		V	5						
Power Consumption	Operating	W (typ.)	1.5						
	Stand-by	W (typ.)	0.025						
Environmental Conditions	Temperature	°C	5~52 (Operating)/-40~65 (Storage)						
	Humidity	%RH	20~80 (Operating)/10~90 (Storage)						
	max.Wet Bulb	°C	29 (Operating)/40 (Storage)						
MTBF (min.)		(H)	15,000P.O.H.						
MTTR (max.)		min	30						
Error Rate	Soft Read Error	/bit	10 ⁻⁹						
	Hard Read Error	/bit	10 ⁻¹²						
	Seek Error	/seek	10 ⁻⁶						
Dimensions (H×W×D)		mm	12.7×96×130						
Weight		g (typ.)	160						

■ For option, Disk Rotational Speed of 360rpm, and Data Transfer Rate of 300Kbps are available.

DIMENSIONS



Unit : mm

■ The figures are at MFM. At FM, the memory capacity, the data transfer speed and the memory density will be reduced to half the figures.
 ■ These specification are as of May. 1, 1998. These are subject to change without prior notice for further improvement.